

SKYTECH

MODEL: RCT-MLT III

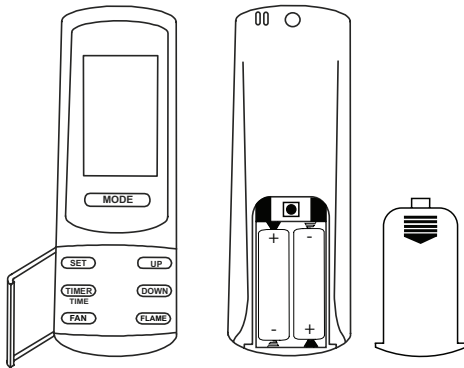
INSTALLATION AND OPERATION INSTRUCTIONS

IF YOU CANNOT READ OR UNDERSTAND THESE INSTALLATION INSTRUCTIONS DO NOT ATTEMPT TO INSTALL OR OPERATE

INTRODUCTION

This remote control system was developed to provide safe, reliable, user-friendly remote control system for gas heating appliances. The system can be operated manually from the transmitter.

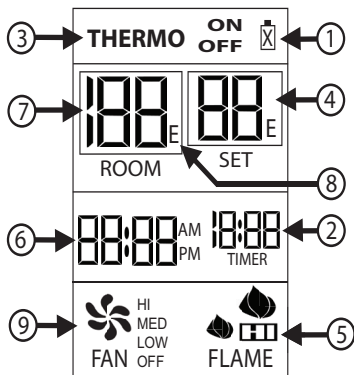
TRANSMITTER



The transmitter operates on (2) AAA 1.5V batteries that are included. Install the AAA batteries supplied with the unit into the battery compartment. It is recommended that ALKALINE batteries always be used for this product. **Be sure the batteries are installed with the (+) and (-) ends facing the correct direction.**

If the transmitter does not illuminate when you press any buttons, or you see nothing on the LCD screen, check the position of the batteries.

LIQUID CRYSTAL DISPLAY - LCD



1. **Low Battery Indicator** - Battery power is low, replace batteries within two weeks.
2. **Timer** - Time remaining before the system shuts off, must be programmed.
3. **Mode** - Indicates whether the system is ON, OFF, or in THERMO mode.
4. **Set** - Indicates the desired SET temperature when in THERMO mode.
5. **Flame** - Indicates burner/valve operational.
6. **Clock** - Indicates current time.
7. **Room** - Indicates current ROOM temperature.
8. **°F** - Indicates degrees Fahrenheit (°C indicates degrees Celsius).
9. **Fan** - Indicates the fan is on, or is programmed to come on.

MODE FUNCTION

To select an operational mode, press the MODE button on the transmitter.

ON - Turns the appliance ON, the flame icon will appear on the LCD screen.

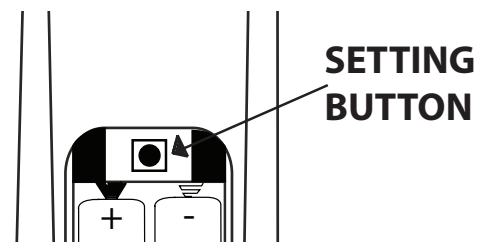
THERMO - Remote is in THERMO mode.

OFF - Turns the appliance OFF, the flame will disappear from the LCD screen.

SETTING °FAHRENHEIT / °CELSIUS SCALE

The factory setting for temperature is degrees fahrenheit (°F). To change this setting to degrees Centigrade (°C):

- Remove battery cover on the back of the transmitter and locate the setting button in the top center of the battery compartment.
- Push the button once to enter temperature scale setting mode.
- Use the up and down buttons to switch between the °F and °C.
- Push the setting button again once again to set the displayed temperature scale.
- Repeat this procedure to switch back to °F.



THERMOSTAT FUNCTION

- Press the **MODE** key until the LCD screen shows the word "THERMO" at the top of the screen.
- To adjust set temperature, press the **UP** and **DOWN** buttons until the desired temperature is reached. The temperature range is 99°F (32°C) to 45°F (6°C).
- If no button is pressed, the set temperature will automatically be accepted.
- The flame icon will appear when the control calls for heat. The flame icon will disappear when the appliance reaches its set temperature.
- Press the **MODE** key to disengage the Thermo Mode.

SETTING THE TEMPERATURE SWING (TEMPERATURE DIFFERENTIAL)

The Thermo Mode on the transmitter operates the appliance whenever the room temperature varies a certain number of degrees from the set temperature. This variation is called the "**SWING**" or **TEMPERATURE DIFFERENTIAL**. The factory preset swing temperature is 2 °F (1 °C). To change the "Swing Setting:"

OPERATING THE FAN

This remote control system has the capability of operating a 110 VAC fan or blower system that may be included with you gas fireplace. The fan will only operate when the transmitter in the ON or THERMO modes (THERMO or ON must be displayed on the LCD Screen).

- To turn on the fan, press the **FAN** button on your transmitter.
- You can switch through the various positions by pressing the fan until the desired speed is obtained.
- Your speed options are High, Medium, Low, and Off.

SETTING THE COUNTDOWN TIMER

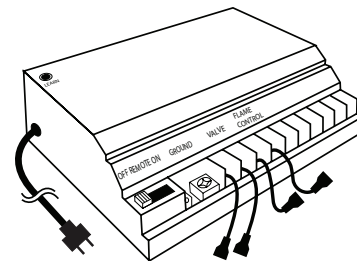
This remote control system can operate with a built-in countdown timer when the transmitter is in the ON or THERMO modes (THERMO or ON must be displayed on the screen).

- Press and release the **TIMER** button. The minimum 0:15 minute setting on the will begin to flash.
- Press the **UP** or **DOWN** button on the transmitter to chose your countdown time. Available countdown times are 15 min, 30 min, 45 min, 1 hour to 9 hours (alternating every 30 min).
- To initiate the countdown, simply press the **SET** button or wait 15 seconds for it to stop flashing. The appliance will turn off when the timer runs out.

RECEIVER

The remote receiver os powered by 110-120VAC. It plugs into a standard polarized duplex receptacle. The remote receiver has a 3-position slide switch for selecting the mode of operation **ON/REMOTE/OFF**

- **ON:** will manually turn on the appliance.
- **REMOTE:** will allow use of handheld transmitter. If the system does not respond to the transmitter on initial use, check the battery positions in the remote. If that does not work, see the SECURITY CODE section.
- **OFF:** will disable the remote receiver.
- **It is suggested that the slide switch be placed in the OFF position if you will be away from your home for an extended period of time.**



WARNING

This remote control system must be installed exactly as outlined in these instructions. Read all instructions completely before attempting installation. Follow instructions carefully during installation. Any modifications of this remote control or any of its components will void the warranty and may pose a fire hazard.

Do not connect any gas valve or electronic module directly to 110-120VAC power. Consult gas appliance manufacturer's instructions and wiring schematics for proper placement of all wires. All electronic modules are to be wired to manufacturer's specifications.

The following wiring diagrams are for illustration purpose only. Follow instructions from manufacturer of gas valve and/or electronic module for correct wiring procedures. Improper installation of electric components can cause damage to electronic module, gas valve and remote receiver.

FLAME HEIGHT

This remote control system allows the user to control the height of the flame when the gas valve is factory equipped with a flame controller.

- Press and release the flame button to change the flame from regular to HI.
- When the flame is switched to HI, the word HI in a black box and a second flame appears in the lower right hand corner of the LCD screen. When switched back to regular flame, they both disappear.

SETTING THE CLOCK

- Hold the **TIMER/TIME** button for 3 seconds. The hour section of the time should begin flashing.
- Select the hour by pressing the **UP** and **DOWN** buttons. If you go past 12 o'clock the AM and PM will change.
- Once the hour is selected, press and release the **TIMER/TIME** button again, and the minute section of the time should be flashing.
- Use the **UP** and **DOWN** buttons to scroll through the minutes.
- Once the minutes are correct, press and hold the **TIMER/TIME** button for 3 seconds. The time is now set.

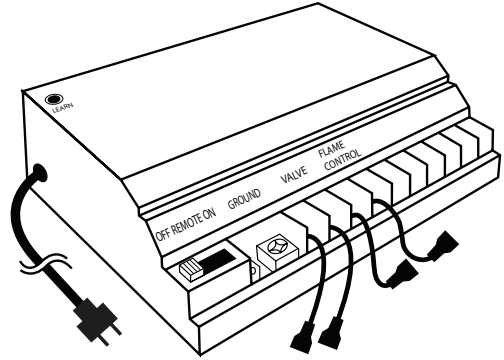
INSTALLATION

Before installation make sure the remote receiver slide switch is in the **OFF** position. After installation be sure that the slide switch is moved to the **REMOTE** position.

MOUNTING THE REMOTE RECEIVER

HEARTH MOUNT

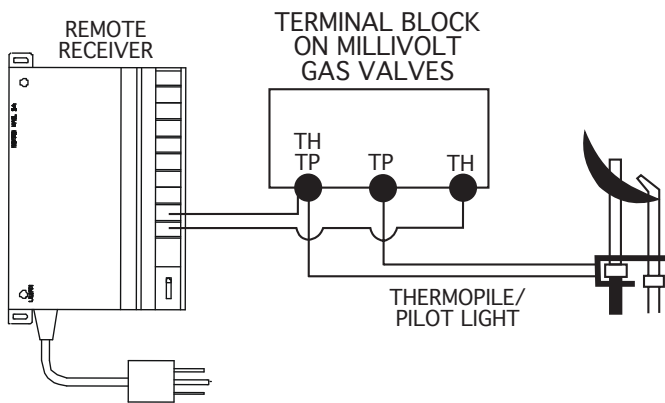
- The remote receiver can be placed on the fireplace hearth or under the fireplace behind the control access panel.
- **MAKE SURE THAT WHERE THE RECEIVER IS PLACED DOES NOT EXCEED 170°F. IT WILL CAUSE DAMAGE TO THE PRODUCT.**
- Use the wires attached to the remote receiver to connect to the gas valve or the electric module.
- Be sure that the connectors do not touch each other or other bare metal surfaces; this will cause the appliance to turn on. The connectors may be wrapped with electrical tape to prevent this.



WIRING INSTRUCTIONS

A qualified electrician should install the remote control system.

WIRING MILLIVOLT VALVES

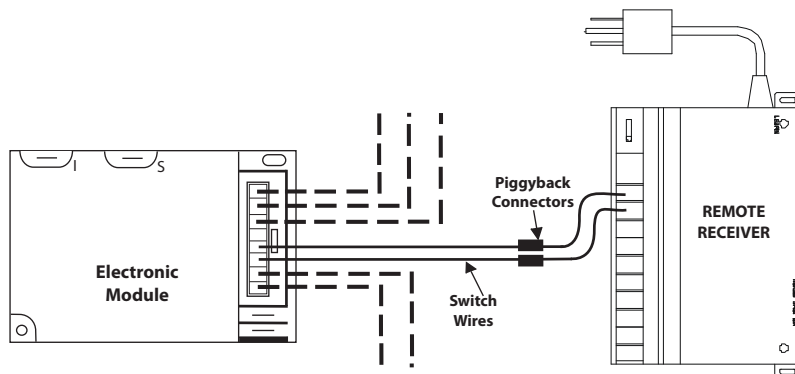


- Connect one wire from the remote receiver's "valve" connection to the TH terminal on the gas valve.
- Connect the other wire from the remote receiver's "valve" connection to the TH/TP terminal on the gas valve.

MILLIVOLT SYSTEM CHECK

- Ensure that the pilot flame is lit.
- Slide the 3-position button on the remote receiver to the **ON** position. The main gas flame (i.e., the fire) should ignite.
- Slide the button to **OFF**. The main flame should extinguish (the pilot flame will remain on).
- Slide the button to **REMOTE**, then press the **ON** button on the transmitter to change the system to on. The main gas flame should ignite.

WIRING ELECTRONIC SPARK IGNITIONS



Take both switch/thermostatic wires from the Electronic Module, and connect them to the receiver wires using the spade connectors.

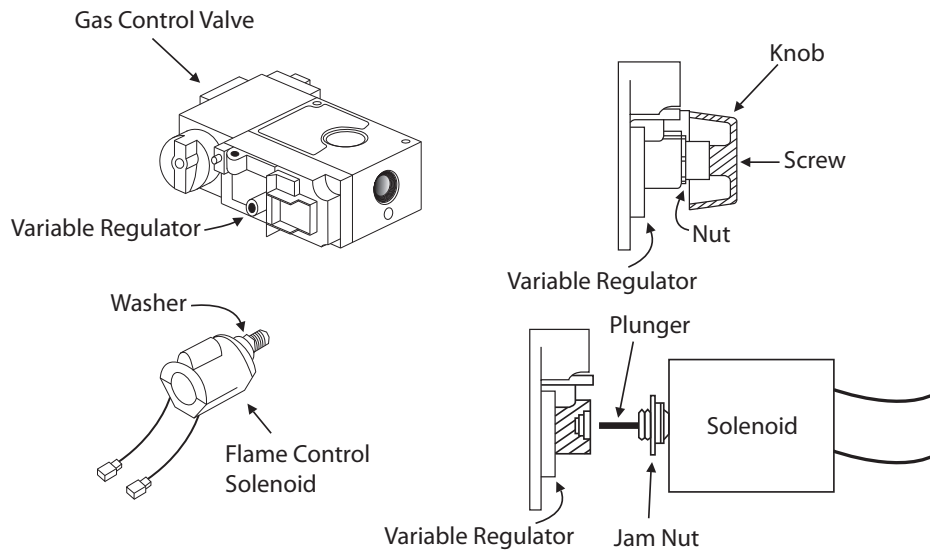
NOTE: An adapter may be necessary to make the connection between the Electronic Module and the Remote Receiver.

ELECTRONIC SPARK SYSTEM CHECK

- Slide the 3-position button on the remote receiver to the **ON** position. The spark electrode should begin sparking to ignite the pilot. After the pilot flame is lit, the main gas valve should open and the main gas flame should ignite.
- Slide the button to **OFF**. The main gas flame and pilot flame should both extinguish.
- Slide the button to **REMOTE**, then select "ON" with the mode button on the transmitter to change the system to on. The spark electrode should begin sparking to ignite the pilot. After the pilot is lit, the main gas valve should open and the main gas flame should ignite.

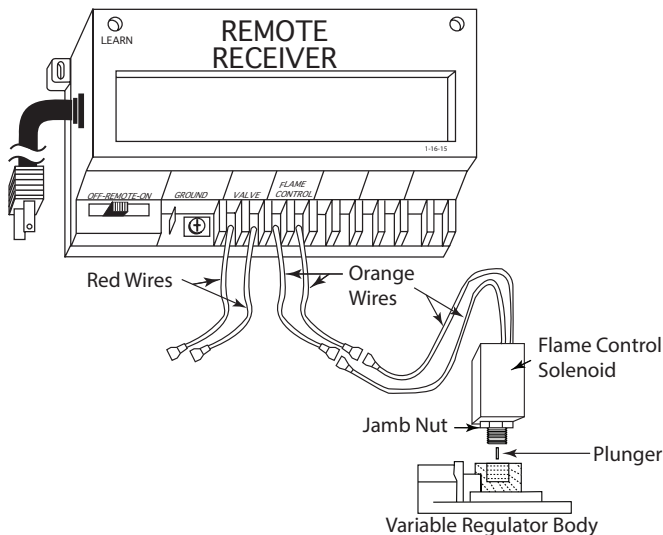
INSTALLING FLAME CONTROL SOLENOID

ALL STEPS REQUIRED FOR INSTALLATION OF THE FLAME CONTROLLER MUST BE DONE BY A QUALIFIED GAS SERVICE TECHNICIAN



1. Remove the screw and knob from the variable regulator and keep in a safe place.
2. Unscrew the nut from the regulator and keep in a safe place.
3. Remove the bag containing a washer and blue and red plungers from the side of the flame control solenoid.
4. Insert the correct plunger (Blue - natural gas, red - propane) into the flame control solenoid.
5. Thread the flame control solenoid with correct plunger into the thread hole in the variable regulator.

WIRING SOLENOID TO THE RECEIVER



CAUTION

TO ENSURE SAFE OPERATION, THE OUTLET PRESSURES ON BOTH REGULAR AND HI FLAME LEVELS SHOULD BE CHECKED WITH A MANOMETER IN ACCORDANCE WITH SPECIFICATIONS SUPPLIED BY THE VALVE MANUFACTURER.

1. Connect the two leads from the flame control solenoid to the orange leads from the receiver.
2. Plug the remote receiver into the 110/120 VAC power supply.
3. Light the fireplace.
4. Tighten the jam nut to the face of the variable regulator body
5. Turn the main gas knob on the gas valve OFF.

COMMUNICATION - SAFETY - TRANSMITTER - (C/S - T/X)

This remote control has a COMMUNICATION –SAFETY function built into its software to ensure the transmitter and receiver are communicating normally.

In all operating modes, the transmitter sends an RF (radio frequency) signal every fifteen minutes to the receiver indicating that the transmitter is within the normal operating range of 20 feet. Should the receiver NOT receive this signal, the receiver will begin a 2 hour countdown. If the receiver does not receive a signal from the transmitter in 2 hours, the receiver will shut off the appliance. The receiver will then emit a series of rapid “beeps” for a period of 10 seconds. Then after 10 seconds of rapid beeping, the receiver will continue to emit a single “beep” every 2 seconds until a transmitter **MODE** Button is pressed to reset the receiver.

AUTO SHUT DOWN

This remote control has an auto shut down feature incorporated into its system. When the transmitter mode is in the ON position, the appliance will only run for 9 hours. After that it will shut down. To reactivate the appliance, press the **MODE** button.

CP (CHILDPROOF) FEATURE

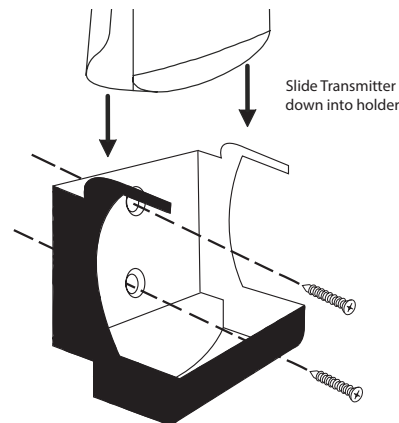
This remote control includes a childproof feature that allows the user to “lock-out” operations from the transmitter.

- To activate and de-activate the childproof feature, press and hold the **SETTING** button behind the battery cover, for 5 seconds (SEE The letters “CP” will briefly appear on the LCD screen when childproof mode is activated).
- “CP” will appear on the LCD screen if any button is pressed while childproof mode is engaged.
- When this mode is engaged, all auto settings go on without interruption (like thermostat). Only manual functions are prevented.

TRANSMITTER WALL BRACKET

The transmitter can be hung on a wall using the clip provided.

- Wood - Drill 1/8” pilot holes and install with screws provided.
- Plaster/Wallboard - Drill 1/4” holes, tap anchors in with hammer, then install with the screws provided.



BATTERY LIFE

Life expectancy of the alkaline batteries in the transmitter should be at least 12 months. Check and replace all batteries:

- Annually.
- When operating range becomes reduced.
- When transmissions are not received by the remote receiver..
- If the hand held transmitter batteries measure less than 2.4 volts (Both batteries in combination).

LEARNING TRANSMITTER TO RECEIVER

This transmitter has one of 1,048,576 unique security codes. It may be necessary to program the remote receiver to learn the security code of the transmitter upon initial use, if batteries are replaced, or if using a replacement transmitter.

- Make sure the receiver’s slide switch is in the **REMOTE** position.
- Press and release the **LEARN** button on the receiver.
- When you hear the “Beep”, press and hold the **MODE** button for about 2 seconds on the transmitter.
- If you not hear a beep after you press the **LEARN** button, check that the batteries in the receiver are installed correctly and fully charged.
- You will then hear a series of beeps that indicate that your new transmitter has been accepted by the receiver.

TROUBLE SHOOTING

If you encounter problems with your fireplace system, the problem may be with either the fireplace itself or with the remote. Review the fireplace manufacturer's operation manual to make sure all connections are properly made. Then check the operation of the remote in the following manner:

- Make sure all batteries are correctly installed in the transmitter. Also check that the batteries are fully charged.
- Check batteries in transmitter to make sure contacts are touching (+) and (-) ends of battery. Bend metal contacts in for tighter fit.
- Be sure receiver and transmitter are within 20 to 25-foot operating range.
- Keep receiver from temperatures exceeding 170° F.
- If receiver is installed in a tightly enclosed metal surrounding, the operating distance will be shortened.
- Make sure the hand-held transmitter and remote receiver are communicating properly (see LEARNING TRANSMITTER TO RECEIVER section).

FCC REQUIREMENTS

NOTE: THE MANUFACTURER IS NOT RESPONSIBLE FOR ANY RADIO OR TV INTERFERENCE CAUSED BY UNAUTHORIZED MODIFICATIONS TO THE EQUIPMENT. SUCH MODIFICATIONS COULD VOID THE USER'S AUTHORITY TO OPERATE THE EQUIPMENT

FOR TECHNICAL SERVICE, CALL:

Skytech

9230 Conservation Way
Fort Wayne, IN 46809
(855) 498-8324
Fax (888) 431-0585

For Sales: (888) 672-8929

WEB SITE: www.skytechpg.com