



MODEL: FG-105

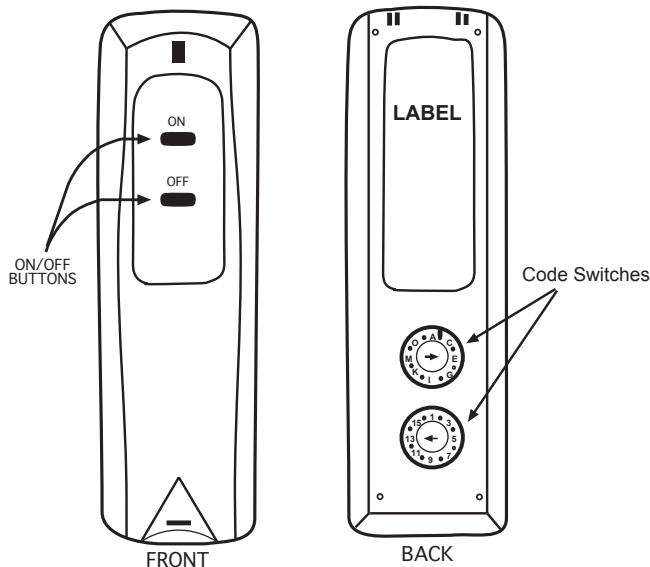
INSTALLATION AND OPERATION INSTRUCTIONS

IF YOU CANNOT READ OR UNDERSTAND THESE INSTALLATION INSTRUCTIONS DO NOT ATTEMPT TO INSTALL OR OPERATE

INTRODUCTION

This remote control system was developed to provide safe, reliable, and user-friendly remote control system for gas heating appliances. It is a dry contact switch system that can be operated manually from the transmitter. The system operates on one of 255 settable security codes on the transmitter and receiver.

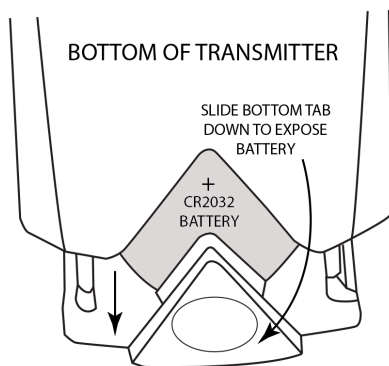
TRANSMITTER



The transmitter has ON and OFF functions that are activated by pressing either button on the face of the transmitter. When a button on the transmitter is pressed, a signal light on the transmitter illuminates briefly to verify that a signal has been sent. Upon initial use, there may be a delay of three seconds before the remote receiver will respond to the transmitter. This is part of the system's design. If the signal light does not illuminate, check the position of the transmitter's battery.

The transmitter has (2) code switches located on the back that will need to be set to match the codes switches on the receiver when installation is complete for proper operation.

Note: Code setting section.



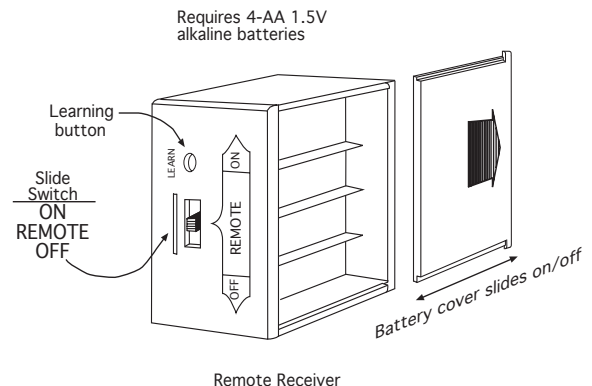
The transmitter operates on (1) 3V Button Cell (Included) that powers the RF signal. Before using the transmitter the 3V battery must be installed into the battery compartments. Remove the battery holder from the bottom of the transmitter insert the 3-volt button cell battery in the battery holder with the plus (+) side up. Note the drawing at the left. Battery is shown in the gray area.

It is recommended that a CR2032 lithium battery always be used for longer battery life and maximum operational performance.

REMOTE RECEIVER

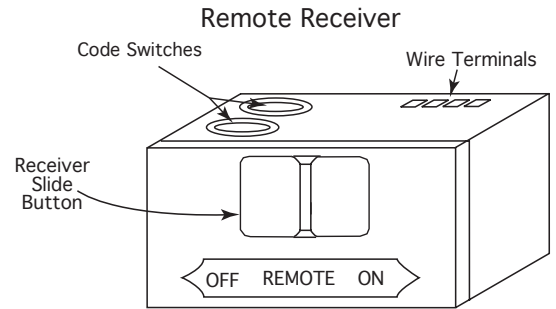
The remote receiver operates on (4) AA-size 1.5V batteries. It is recommended that ALKALINE batteries be used for longer battery life and maximum microprocessor performance.

IMPORTANT: New or fully charged batteries are essential for proper operation of the remote receiver.



The remote receiver houses the microprocessor that responds to commands from the transmitter to control system operation. The remote receiver has a 3-position slide switch for selecting the MODE of operation: OFF/REMOTE/ON

- With the slide switch in the ON position the system will remain on until the slide switch is placed in the OFF or REMOTE position.
- With the slide switch in the REMOTE position (centered), the system will only operate if the remote receiver receives commands from the transmitter.
- With the slide switch in the OFF position the system is OFF.
- It is suggested that the slide switch be placed in the OFF position if you will be away from your home for an extended period of time. Placing the slide switch in the OFF position also functions as a safety “lock-out” by both turning the system OFF and rendering the remote receiver inoperative.



WARNING

This remote control system must be installed exactly as outlined in these instructions. Read all instructions completely before attempting installation. Follow instructions carefully during installation. Any modifications of this remote control or any of its components will void the warranty and may pose a fire hazard.

Do not connect any gas valve or electronic module directly to 110-120VAC power. Consult gas appliance manufacturer's instructions and wiring schematics for proper placement of all wires. All electronic modules are to be wired to manufacturer's specifications.

The following wiring diagrams are for illustration purpose only. Follow instructions from manufacturer of gas valve and/or electronic module for correct wiring procedures. Improper installation of electric components can cause damage to electronic module, gas valve and remote receiver.

INSTALLATION

The remote receiver can be either wall-mounted in a standard plastic switch box or placed on or near the fireplace hearth. Preferably, the remote receiver should be wall-mounted in a plastic switch box. When locating the receiver at the hearth PROTECTION FROM EXTREME HEAT IS VERY IMPORTANT. Like any piece of electronic equipment, the remote receiver should be kept away from temperatures exceeding 130° F inside the receiver case. Battery life is also significantly shortened if batteries are exposed to high temperatures.

Make sure the remote receiver switch is in the OFF position. It is recommended that 18 gauge solid or stranded wires (included) be used to make connections between the terminal wiring block on the millivolt gas valve or electronic module and the wire terminals on the remote receiver. For the best results use wire with no splices and measuring no longer than 20-feet.

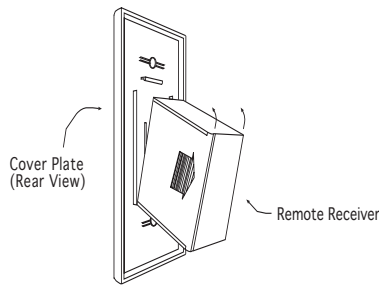
WALL MOUNTING THE REMOTE RECEIVER

Install 4 AA-size 1.5 ALKALINE batteries in the remote receiver. For best performance, remote receiver batteries should be factory fresh when installed. Very little battery power is required to operate the remote receiver, but the electronics are tuned to operate best when battery output is greater than 5.3 volts. Four new AA batteries should provide a total output voltage of 6.0 to 6.2 volts. Be sure batteries are installed with the (+) and (-) ends facing the correct direction.

When wall mounting the remote receiver, longer wires (not included) are required to connect to the gas valve or electronic module. These wires must:

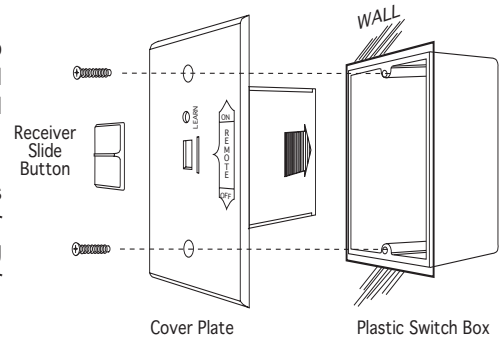
- Be at least 18 Gauge (AWG)
- Be no longer than 20'
- Have no splices

To Attach Cover Plate to Receiver Box:



Position the receiver as shown in diagram to the left with lower tab on cover plate inserted into groove of receiver. Pull receiver up and snap into top tab of cover plate.

Position the cover plate so the word ON is facing up; then, install the remote receiver into the plastic switch-box using the two long screws provided. Push the white button over the receiver slide switch.

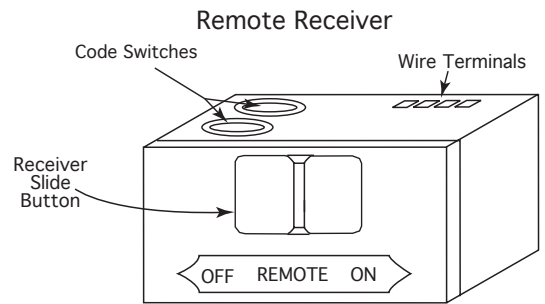


NOTE: The remote receiver will only respond to the transmitter when the 3-position slide button on the remote receiver is in the REMOTE position. If the system does not respond to the battery transmitter on initial use, see CODE SETTING SECTION, and recheck battery positions in the remote receiver.

HEARTH MOUNT

The remote receiver can be placed on the fireplace hearth or under the fireplace, behind the control access panel. Position where the ambient temperature inside the receiver case does not exceed 130° F. Battery life is also significantly shortened if batteries are exposed to high temperatures. Make sure the remote receiver code switches have been set to match the transmitter code switches before completing the installation. See Code setting section.

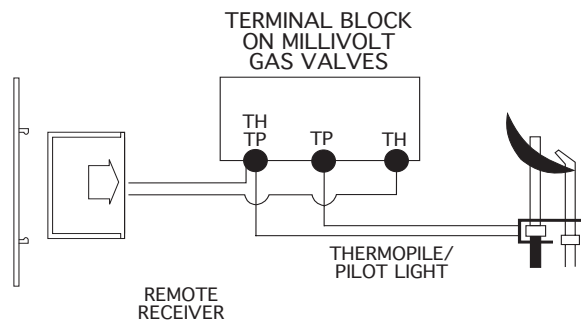
NOTE: Black Slide Button is used for Hearth Mount applications.



WIRING INSTRUCTIONS

A qualified electrician should install the remote control system.

WIRING MILLIVOLT VALVES

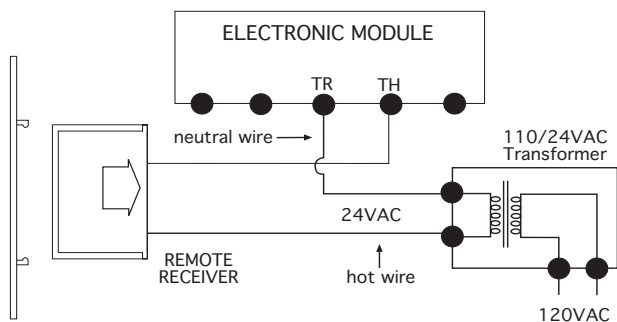


The remote receiver is connected to the millivolt valve using the TH (thermostat) terminals on the terminal block on the millivolt gas valve. Connect 18 gauge solid or stranded wires from the remote receiver to the gas valve.

Operation of the remote receiver is similar to that of a thermostat in that both turn the gas valve on and off based on input signals. A thermostat's input signals are different temperatures. The remote receiver's input signals come from the transmitter.

Connect one of the two wires leading from the receiver to the TH terminal and the other to the TH/TP terminal on the millivolt gas valve it does not matter which wires go to which terminal.

WIRING ELECTRONIC SPARK IGNITIONS



The remote control receiver can be connected, in series, to a 24VAC transformer to the TR (transformer) terminal on the ELECTRONIC MODULE. Connect the hot wire from the 24VAC transformer to either of the wire terminals on the remote receiver. Connect another wire between the other receiver wire terminal and the TH (thermostat) terminal on the ELECTRONIC MODULE.

SYSTEM CHECK

MILLIVOLT VALVES AND ELECTRONIC SPARK IGNITION SYSTEMS

Light your gas appliance following the lighting instructions that came with the appliance. Confirm that the pilot flame is burning; it must be in operation for the main gas valve to operate.

- Slide the 3-position button on the remote receiver to the ON position. On Millivolt systems the main gas flame (i.e., the fire) should ignite. On Electronic ignition systems the spark electrode should begin sparking to ignite the pilot (the pilot may ignite after only one spark). After the pilot flame is lit, the main gas valve should open and the main gas flame should ignite.
- Slide the button to OFF. On millivolt systems the flame should extinguish (the pilot flame will remain on). On electronic ignition systems the main gas flame and pilot flame should BOTH extinguish.
- Slide the button to REMOTE (the center position), and then press the ON button on the transmitter to change the system to ON. The main gas flame should ignite. On Electronic ignition systems the spark electrode should begin sparking to ignite the pilot (the pilot may ignite after only one spark). After the pilot flame is lit, the main gas valve should open and the main gas flame should ignite.

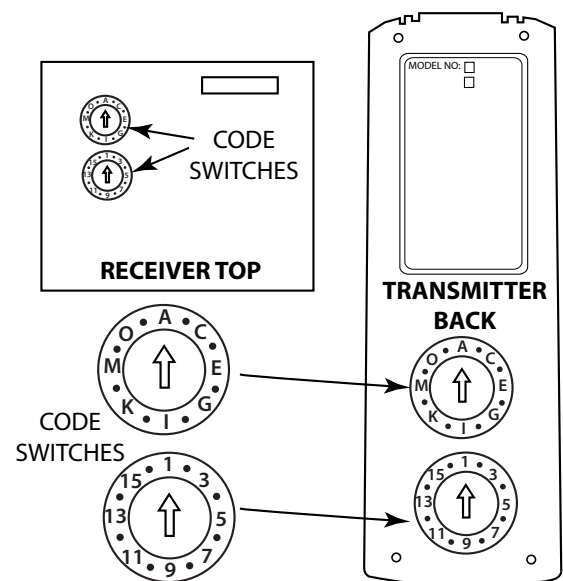
GENERAL INFORMATION

CODE SETTING

CAUTION: All units are shipped from the factory with the code switch pre-set to the same codes. These switches must be re-set to different codes during installation to prevent interference from another remote.

Each transmitter can use one of 255 set able security codes. It WILL be necessary to set the transmitter and receiver code switches to a matching security code upon initial use. If a replacement transmitter or receiver is purchased from your dealer or the factory, the code switches must be set to match the receiver transmitter code switches. When setting the code switches set the A through P switch on the transmitter to the same setting as the A through P switch on the receiver. Then set the 1 through 16 switch on the transmitter to the same setting as the 1 through 16 switch on the receiver. **Note:** A small screwdriver can be used to change these code switches.

Note: The figure to the right showing the code switches on the transmitter and receiver.



BATTERY LIFE

Life expectancy of the alkaline batteries in the transmitter should be at least 12 months. Check and replace all batteries annually. When the transmitter no longer operates the remote receiver from a distance it did previously (i.e., the transmitter's range has decreased) or the remote receiver does not function at all, the batteries should be checked. It is important that the remote receiver batteries are fully charged and provides continuous output voltage of a least 5.3 volts. The length of the wire between the remote receiver and gas valve directly affects the operating performance of the remote system. The longer the wire, the more battery power is required to deliver signals between the remote receiver and the gas valve. Recommended length is no longer than 20-feet. The transmitter should operate with as little as 2.5 volts battery power.

TROUBLE SHOOTING

If you encounter problems with your fireplace system, the problem may be with the fireplace itself or it could be with the remote. Review the fireplace manufacturer's operation manual to make sure all connections are properly made. Then check the operation of the remote in the following manner:

- Make sure the batteries are correctly installed in the RECEIVER. One reversed battery will keep receiver from operating properly.
- Check the battery in the Transmitter to make sure it is installed with the (+) side up.
- Check the code settings on the transmitter and receiver to be sure that they are matched settings.
- Be sure RECEIVER and Transmitter are within 20'-25' operating range.
- Keep RECEIVER from temperatures exceeding 130° F. Battery life is shortened when ambient temperatures are above 130° F.
- If RECEIVER is installed in tightly enclosed metal surround, the operating distance will be shortened.

SPECIFICATIONS

BATTERIES: Transmitter 3V button cell (CR2032)
Remote Receiver 6V –4ea. AA 1.5 Alkaline
FCC ID No.'s: transmitter –K9L 4001TX; receiver – K9L 4001RX
Operating Frequency: 433.92MHZ
Canadian ISC ID No.'s: transmitter –2439A 4001TX; receiver – 2439A 4001RX

FCC REQUIREMENTS

NOTE: THE MANUFACTURER IS NOT RESPONSIBLE FOR ANY RADIO OR TV INTERFERENCE CAUSED BY UNAUTHORIZED MODIFICATIONS TO THE EQUIPMENT. SUCH MODIFICATIONS COULD VOID THE USER'S AUTHORITY TO OPERATE THE EQUIPMENT

For Technical Service, call:

U.S. INQUIRIES

(855) 498-8324 or (260) 459-1703

For Sales: (888) 672-8929

Web site: www.skytechpg.com

CANADIAN INQUIRIES

(877) 472-3923

MANUFACTURED EXCLUSIVELY FOR SKYTECH II, INC

LIMITED WARRANTY

SKYTECH warrants the SKYTECH REMOTE CONTROL SYSTEM to the original owner of this system. This warranty lasts as long as you own your SKYTECH REMOTE CONTROL SYSTEM. Coverage terminates if you sell or otherwise transfer your SKYTECH REMOTE CONTROL SYSTEM.

Should any part fail because of defective workmanship or material from the original date of purchase. SKYTECH will repair or, at its option, replace the defective parts.

Replacement parts will be available at no charge for the first (5) five years of this warranty, and will be available at market cost for the Lifetime of the product to that original owner. If SKYTECH does not have the parts for an individual model, then a replacement SYSTEM will be provided at no charge within the first (5) five years after purchase, and then at market cost for the Lifetime of that product to the original owner.

The Owner must provide a bill of sale, cancelled check, or payment record should be kept to verify purchase date and establish warranty period. Travel, diagnostic costs, labor to repair, and freight charges on warranty parts to and from the factory are the responsibility of the owner. SKYTECH will not be responsible for labor charges and/or damage incurred in installation, repair, replacement, or for incidental or consequential damages.

This warranty does not cover claims which do not involve defective workmanship or materials. Batteries and any damage caused by them are not covered by this warranty. Damage to the SYSTEM caused by accident, misuse, abuse, or installation error, whether performed by a contractor, Service Company, or owner, is not covered by this warranty. Modification of the SKYTECH product will void this warranty.

NOTE: If you purchased a Skytech Valve Kit, the valve kit is only warranted for 12 months however the remote control system is covered for 5 years.

IN NO EVENT SHALL SKYTECH BE LIABLE FOR INCIDENTAL OR CONSEQUENTIAL DAMAGES.

Some States do not allow the exclusion or limitation of incidental and consequential damages or limitation on how long an implied warranty lasts, so the above limitation may not apply to you. This warranty gives you specific rights and you may have other rights, which vary from state, province, and nation.

How to Obtain Service:

Contact SKYTECH or your SKYTECH Dealer direct with the following information:

- o Name, Address, Telephone Number of Owner
- o Date of Purchase, Proof of Purchase
- o Model Name, Date Code of Product and any relevant information or circumstances, concerning installation, mode of operation and/or when defect was noted

Warranty claim process will start with all of this information. SKYTECH reserves the right to physically inspect the product for defects, by authorized representatives.

.....

Print information and detach at dotted line for return to: Skytech, 9230 Conservation Way, Fort Wayne, IN 46809 Telephone: (855) 498-8324

Warranty Information

Purchase Date: _____ Model: _____ Date Code: _____

Purchased From: _____

Customer Name: _____ Phone: _____

Address: _____

City: _____ State/Prov. _____ Zip/Postal Code: _____

Back of remote Date Code Sample

15'	●	1	2	3	4	5	6
16'		7	8	9	10	11	12

1-12 is Month remote was produced
15-16 is Year remote was produced

Sample date code above is 1511

Please send a Proof of Purchase (original receipt) copy along with your warranty form.