

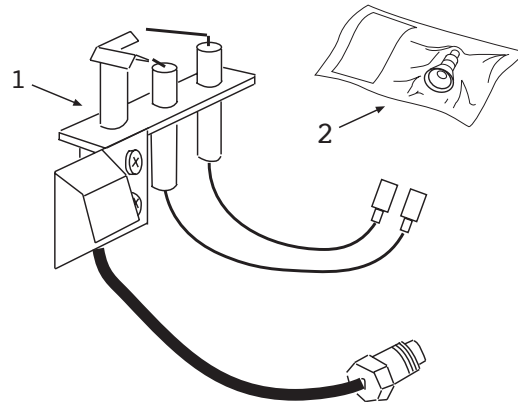


**Model: AFVK-SP Pilot 60**

**Pilot extension kit for AFVK-SP, AFVK-SPH/L, & AFVK-SPMH/L**

**IF YOU CANNOT READ OR UNDERSTAND THESE INSTALLATION INSTRUCTIONS DO NOT ATTEMPT TO INSTALL OR OPERATE**

**INSTALLATION INSTRUCTION**



**Notice:** Please leave these instructions for the consumer and retain for future reference

**Warning:** Improper installation, adjustment, alteration, service or maintenance can cause injury or property damage. Refer to this manual. For assistance or additional information consult a qualified installer, service agency or the gas supplier

**Important:** Read these instructions carefully before starting installation of your log set.

**FOR YOUR SAFETY**  
Do not store or use gasoline or other flammable vapors and liquids in the vicinity of this or any other appliance.

**FOR YOUR SAFETY**  
**WHAT TO DO IF YOU SMELL GAS**  
Do not try to light the appliance.  
Do not touch any electrical switch.  
Do not use any phone in your building.  
Immediately call you gas supplier from a neighbor's phone. Follow the gas suppliers instructions.  
If you cannot reach your gas supplier, call the fire department.

**Be sure the flue damper is fully open when operating any vented gas log set.**

**Young Children should be carefully supervised when they are in same rooms as the appliance.**

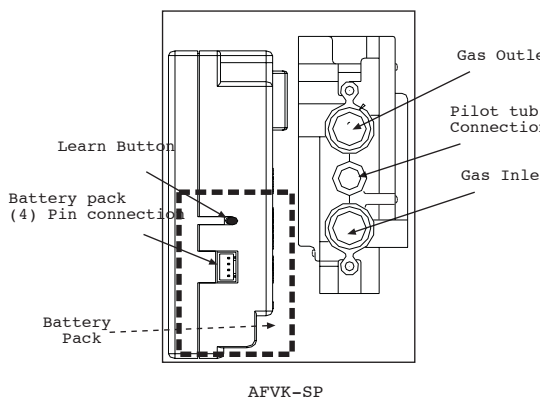
If this fireplace installation has glass doors, **only operate the gas logs with glass doors in the fully open position.**

## Extension Instructions:

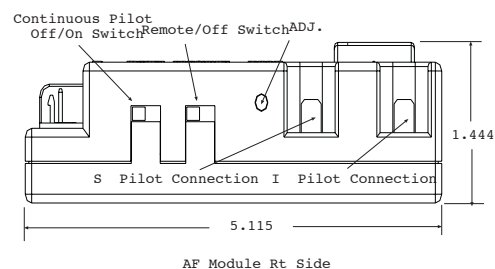
This pilot extension kit is to replace the existing pilot assembly that is installed on the AFVK-SP, AFVK-SPH/L, & AFVK-SPMH/L valve kits.

This pilot extension kit has the same pilot assembly as the pilot assembly connected with the AFVK-SP, AFVK-SPH/L, & AFVK-SPMH/L valve kits but the AFVK-SPPilot/60 has a 60" pilot feed line and 60" spark and igniter wires.

1. Remove the existing pilot feed line fitting from the AFVK-SP, AFVK-SPH/L, & AFVK-SPMH/L valve **Note: pilot connection on Figure #1**. The gas inlet or outlet fitting may need to be removed to allow access to the pilot fitting.
2. Connect the pilot feed line fitting from the AFVK-SPPilot-60 to the pilot connection on the AFVK-SP, AFVK-SPH/L, & AFVK-SPMH/L valve (**Note: pilot connection on Figure #1**) and reinstall the gas inlet or outlet fitting if removed make sure to use Teflon tape or pipe compound on gas connections (Not on pilot fitting).
3. Remove the front cover from the AFVK-SP, AFVK-SPH/L, & AFVK-SPMH/L valve kit then unplug the spark and igniter wires (Orange & White) from the "S" and "I" terminals on the electronic module **Note: Figure #2**.
4. Connect the spark and igniter wires (Orange & White) from the AFVK-SPPilot-60 to the "S" and "I" terminals on the electronic module **Note: Figure #**. Replace the front cover on the AFVK-SP, AFVK-SPH/L, & AFVK-SPMH/L valve kit.
5. Complete the installation of the AFVK-SP, AFVK-SPH/L, & AFVK-SPMH/L valve kit using the instructions supplied with the valve kit.



(Figure #1)

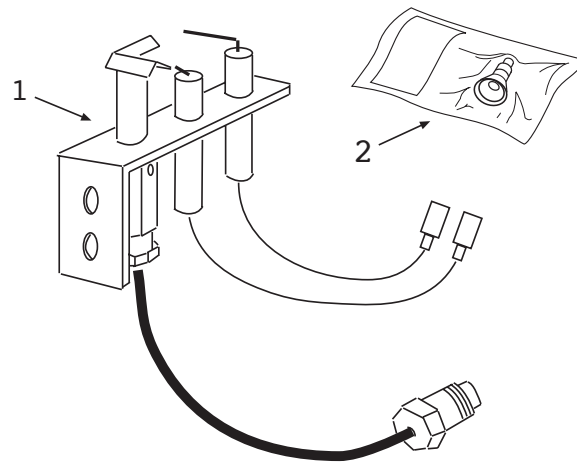


(Figure #2)

### **FOR YOUR SAFETY READ BEFORE LIGHTING**

**WARNING: IF YOU DO NOT FOLLOW THESE INSTRUCTIONS EXACTLY, A FIRE OR EXPLOSION MAY RESULT CAUSING PROPERTY DAMAGE, PERSONAL INJURY OR LOSS OF LIFE.**

1. This product is intended to be used with American Flame, Inc. Model **AFVK-SP, AFVK-SPH/L, or AFVK-SPMH/L** valve kit only.
  2. Follow the operating instructions listed with the **AFVK-SP, AFVK-SPH/L, OR AFVK-SPMH/L** valve kit.
  3. Remove the 1/8" aluminum pilot tubing at the pilot assembly (Caution 7/16" brass fitting).
  4. Remove natural gas pilot orifice from pilot assembly, then replace with propane pilot orifice (.012LP stamped on orifice) supplied with **AFVK-SPPilot-60** extension kit and reconnect 1/8" pilot tubing to pilot assembly. **(Use caution when working with the pilot tubing not to kink the tubing or locate the tubing in or over the burner pan).**
- NOTE:** If using the LPK18-24 conversion instruction disregard changing the pilot orifice.



### AFVK-SPPilot-60 PARTS LIST

Item Number	Description	Part Number
1	Pilot assembly complete	238577-23
2	Pilot Orifice (Propane)	238577-22

#### Limited Warranty

American Flame warrants the AFVK-SPPilot-60 Extension Kit for 12 months from the date of purchase or installation to the original purchaser to be free from defects in materials and workmanship. Damage to the AFVK-SPPilot-60 Extension Kit caused by accident, misuse, abuse, or installation error, whether performed by a contractor, Service Company, or owner, is not covered by this warranty. American Flame will not be responsible for labor charges and/or damage incurred in installation, repair, replacement, or for incidental or consequential damage. Some states, provinces, and nations do not allow exclusion or limitations of incidental or consequential damages, so the above limitations or exclusions may not apply. This warranty gives you specific legal rights. You may also have other rights that vary by state, province, or nation

American Flame, Inc. 9230 Conservation Way Fort Wayne, IN 46809  
 Technical Questions: (855) 498-8324 Fax (888) 672-8024

For Sales: (888) 672-8929

[www.skytechpg.com](http://www.skytechpg.com)