

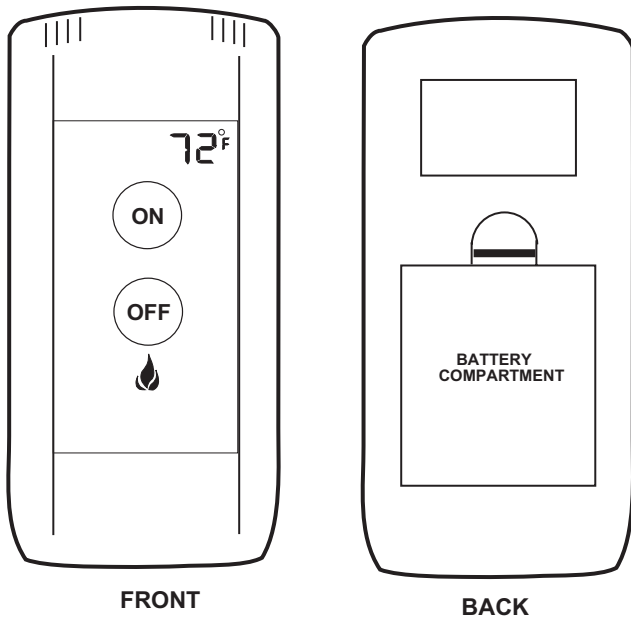


MODEL: 5001

**IF YOU CANNOT READ OR UNDERSTAND THESE INSTALLATION INSTRUCTIONS
DO NOT ATTEMPT TO INSTALL OR OPERATE**

INTRODUCTION

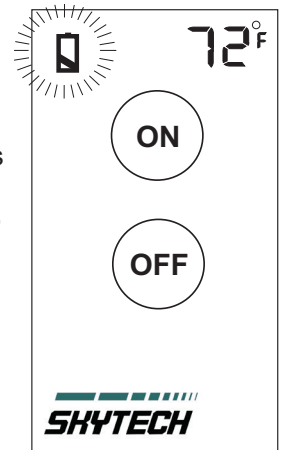
This SKYTECH remote control system was developed to provide a safe, reliable, and user-friendly remote control system for gas heating appliances. The system can be operated manually from the transmitter. The system operates on radio frequencies (RF) within a 20-foot range using non-directional signals. The system operates one of 1,048,576 security codes that are programmed into the transmitter at the factory; the remote receiver's code must be matched to that of the transmitter prior to initial use.



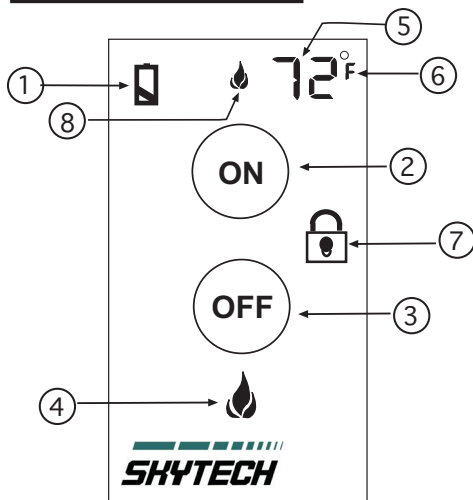
The transmitter operates on (4) AAA-size 1.5V batteries. It is recommended that ALKALINE batteries always be used for longer battery life and maximum operational performance. **IMPORTANT:** New or fully charged batteries are essential for proper operation of the multi-function transmitter. Insert (4) AAA-size 1.5 V batteries into the battery compartment on the back of the transmitter, positioning the (+) and (-) ends of the batteries as indicated on the casing. When the batteries are inserted, the screen at right (with similar numbers) will display.

Note: On initial start up if a LOW battery icon appears on the screen, check the position of the batteries.

Note: Due to the sensitive temperature-monitoring components in the transmitter, it may be necessary to allow the transmitter to stabilize to room temperature before accurate room temperatures are displayed on the screen. If the transmitter is activated from a severe cold condition, it can take up to fifteen minutes for accurate temperature readings to appear.

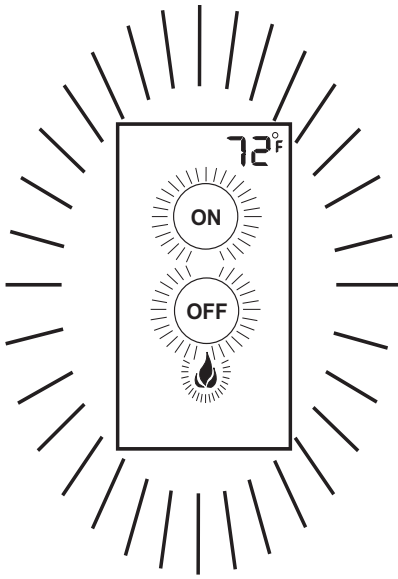


LCD DESCRIPTION



1. **BATTERY ICON** - Indicates low battery. Replace batteries within 2- weeks.
2. **ON-** Indicates the appliance is ON – Flame Icon
3. **OFF-** Indicates the appliance is OFF – NO Flame Icon
4. **FLAME ICON** – Indicates burner/valve in operation.
5. **ROOM** – Indicates CURRENT room temperature.
6. **°F** -Indicates degrees Fahrenheit (°C indicates degrees Celsius).
7. **LOCK** – Child lock out.
8. **RF SIGNAL ICON** –Appears when the RF signal is being transmitted.

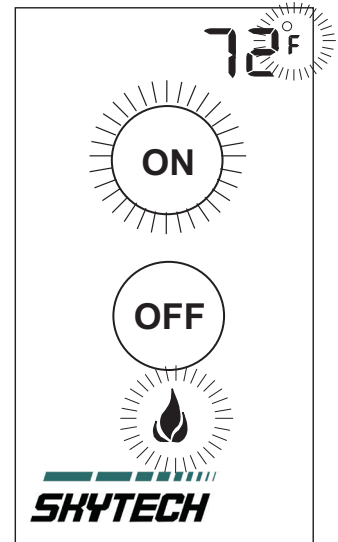
OPERATION FUNCTIONS



1. Touch anyplace on the LCD screen and the blue back light will light up and stay ON for (5) seconds.
2. Press the ON button on the LCD screen of the transmitter to turn the appliance ON.
3. Touch the OFF button on the LCD screen of the transmitter to turn the appliance OFF.

SETTING °F / °C SCALE

The factory setting for temperature is °F. To change this setting to °C, first press and hold the ON button and the FLAME ICON on the transmitter LCD screen at the same time for (5) seconds. Follow this same procedure to change from °C back to °F.

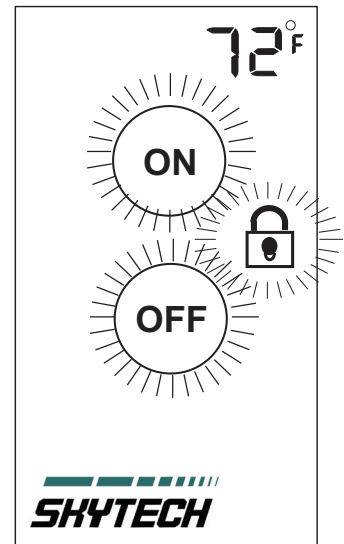


CHILDPROOF "LOCK-OUT" OPTION

This remote control includes a CHILDPROOF "LOCK-OUT" feature that allows the user to "LOCK-OUT" operation of the appliance from the TRANSMITTER when it is in the "LOCK OUT" mode.

1. To activate the "LOCK-OUT" feature, press and hold the ON and OFF buttons on the LCD screen at the same time, for 5 seconds. The lock icon will appear on the LCD screen.
2. To disengage the "LOCK-OUT", press and hold the ON and OFF buttons on the LCD screen at the same time, for 5 seconds. The lock icon will disappear on the LCD screen and the system will return to its normal operating condition.

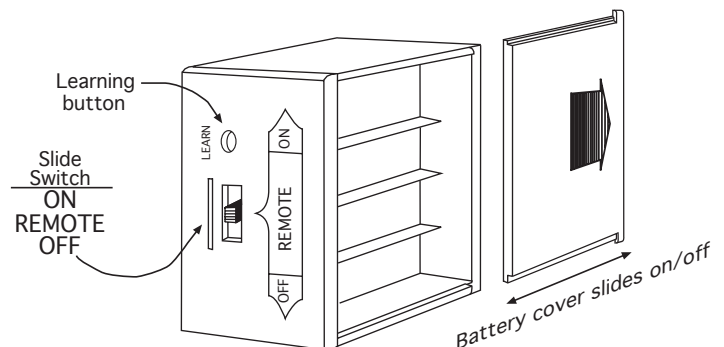
NOTE: If the appliance is already operating in the ON mode engaging the "LOCK-OUT" will not cancel the operating MODE. Engaging the "LOCK-OUT" prevents only the manual operation of the TRANSMITTER.



RECEIVER

The remote receiver operates on (4) AA 1.5volt batteries. It is recommended that ALKALINE batteries be used for longer battery life and maximum microprocessor performance.

IMPORTANT: New or fully charged batteries are essential for proper operation of the remote receiver. Rechargeable batteries are not recommended for use.



Remote Receiver

RECEIVER CONTINUED

The remote receiver houses the microprocessor that responds to commands from the transmitter to control system operation. The remote receiver has a 3-position slide switch for selecting the MODE of operation: ON/REMOTE/OFF

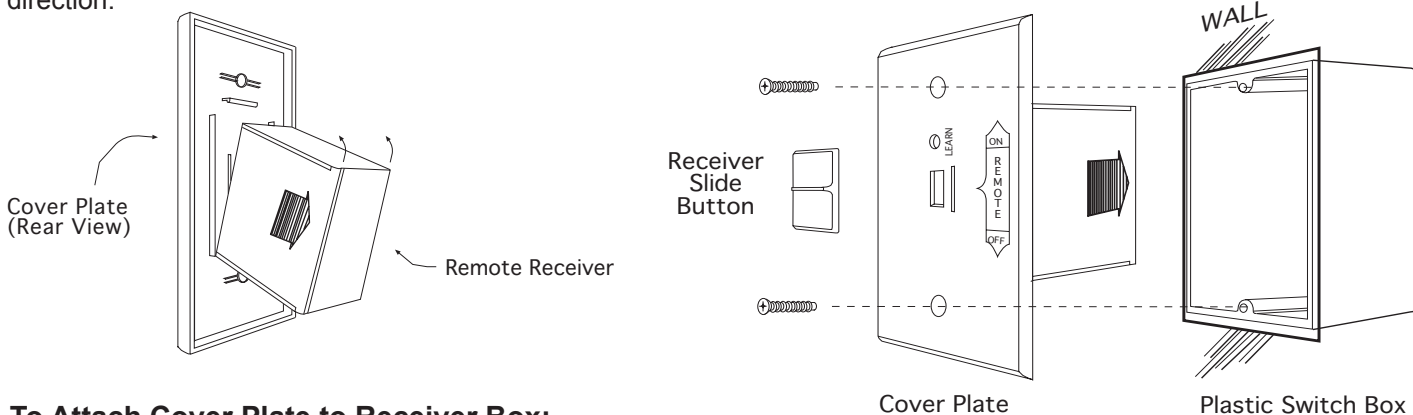
- With the slide switch in the ON position (toward the LEARN button), the system will remain ON until the slide switch is placed in the OFF or REMOTE position.
- With the slide switch in the REMOTE position (centered), the system will only operate if the remote receiver receives commands from the transmitter.
- With the slide switch in the OFF position (away from the LEARN button), the system is OFF.
- It is suggested that the slide switch be placed in the OFF position if you will be away from your home for an extended period of time. If the remote receiver is mounted out of children's reach, placing the slide switch in the OFF position also functions as a safety "lock-out" by both turning the system OFF and rendering the remote receiver inoperative.

INSTALLATION

The remote receiver can be either wall-mounted in a standard plastic switch box or placed on or near the fireplace hearth. Preferably, the remote receiver should be wall-mounted in a plastic switch box, as this will protect its electronic components from both the heat produced by the gas appliance and potential damage or abuse that can occur if it is left exposed on the hearth. PROTECTION FROM EXTREME HEAT IS VERY IMPORTANT. Like any piece of electronic equipment, the remote receiver should be kept away from temperatures exceeding 130° F inside the receiver case. Battery life is also significantly shortened if batteries are exposed to high temperatures. Make sure the remote receiver switch is in the OFF position. It is recommended that 18 gauge solid or stranded wires be used to make connections between the terminal wiring block on the millivolt gas valve or electronic module and the wire terminals on the remote receiver. For best results, use 18-gauge solid or stranded wire, with no splices and measuring no longer than 20-feet.

WALL MOUNT OPTION

Install (4) AA-size 1.5 volt ALKALINE batteries in the remote receiver. For best performance, remote receiver batteries should be factory fresh when installed. Very little battery power is required to operate the remote receiver, but the electronics are tuned to operate best when battery output is greater than 5.3 total volts. Four (4) new AA batteries should provide a total output voltage of 6.0 to 6.2 volts. Be sure batteries are installed with the (+) and (-) ends facing the correct direction.



To Attach Cover Plate to Receiver Box:

Position the receiver as shown in diagram to the left with lower tab on cover plate inserted into groove of receiver (make sure the LEARN hole on cover plate properly aligns with remote receiver) Pull Receiver up and snap into top tab of cover plate.

Position the cover plate so the word ON is facing upward; then, install the remote receiver into the plastic switch box using the two long screws provided. Push the White Button over the receiver slide switch only after making sure the remote receiver has LEARNED the transmitter's security code (see LEARNING TRANSMITTER TO RECEIVER section).

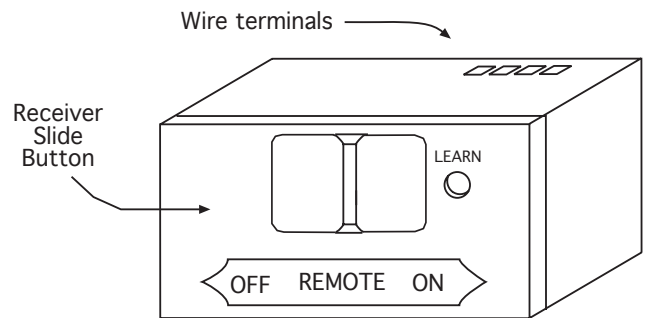
NOTE: The remote receiver will only respond to the transmitter when the 3-position slide button on the receiver is in the **REMOTE** position. If the system does not respond to the battery transmitter on initial use, see LEARNING TRANSMITTER TO RECEIVER, and recheck battery positions in the remote receiver for proper installation.

HEARTH MOUNT OPTION

The remote receiver can be placed on the fireplace hearth or under the fireplace gas valve area, behind the control access panel. Position the receiver where the ambient temperature inside the receiver case will not exceed 130° F.

NOTE: Black Slide Button is used for Hearth Mount applications.

Remote Receiver



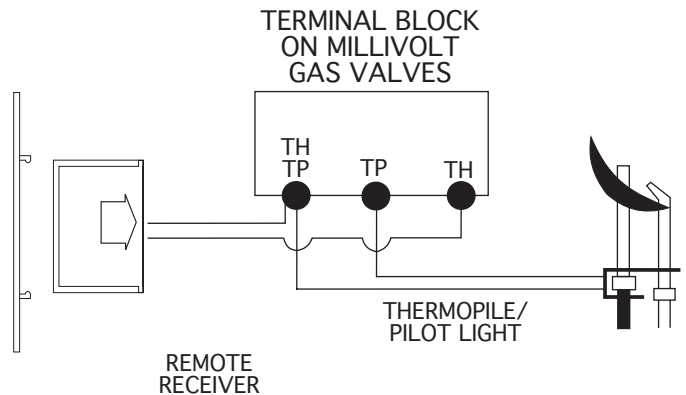
WIRING INSTRUCTIONS

A qualified electrician or a gas technician who is familiar with the gas appliance and gas valves that will be operated by this remote should install the remote control system. Incorrect wiring connections WILL cause damage to the gas valve or electronic module operating the gas appliance and may also damage the remote receiver.

WIRING MILLIVOLT VALVES

The remote receiver is connected to the millivolt valve using the TH and TH/TP (outside terminals) on the terminal block on the millivolt gas valve. Connect 18 gauge solid or strand wire from the remote receiver to the gas valve.

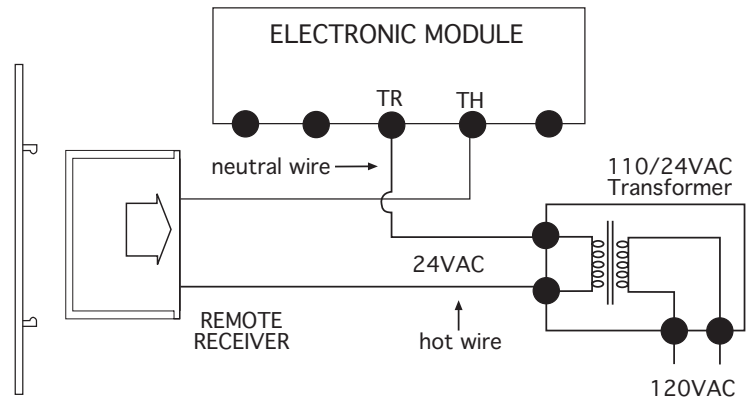
Operation of the remote receiver is similar to that of a thermostat in that both turn the gas valve ON and OFF based on input signals. A thermostat's input signals are different temperatures. The remote receiver's input signals come from the transmitter.



Connect each of the two wires from the receiver to the TH & TH/TP terminals on the millivolt gas valve to either of the two wire terminals on the remote receiver. Normally it does not matter which wires go to which terminal, they are not polarity sensitive.

WIRING ELECTRONIC SPARK IGNITION VALVES

The remote control receiver can be connected, in series, to a 24VAC transformer to the TR (transformer) terminal on the ELECTRONIC MODULE. Connect the hot wire from the 24VAC transformer to either of the wire terminals on the remote receiver. Connect another wire (included) between the other receiver wire terminal and the TH (thermostat) terminal on the ELECTRONIC MODULE.



WARNING

This remote control system must be installed exactly as outlined in these instructions. Read all instructions completely before attempting installation. Follow instructions carefully during installation. Any modifications of the SKYTECH remote control or any of its components will void the warranty and may be pose a fire hazard.

Do not connect any gas valve or electronic module directly to 110-120VAC power. Consult gas appliance manufacturer's instructions and wiring schematics for proper placement of all wires. All electronic modules are to be wired to manufacturer's specifications.

The following wiring diagrams are for illustration purpose only. Follow instructions from manufacturer of gas valve and/or electronic module for correct wiring procedures. Improper installation of electric components can cause damage to electronic module, gas valve and remote receiver.

SYSTEM CHECK

MILLIVOLT VALVES

Light your gas appliance following the lighting instructions that came with the appliance. Confirm that the pilot flame is lit; and the control knob on the gas valve is in the ON position.

- Slide the 3-position button on the remote receiver to the ON position. The main gas flame (i.e., the fire) should ignite.
- Slide the button to OFF. The flame should extinguish (the pilot flame will remain on).
- Slide the button to REMOTE (the center position), then press the ON button on the transmitter to change the system to ON. The main gas flame should ignite.

ELECTRONIC SPARK IGNITION VALVES

- Slide the 3-position button on the remote receiver to the ON position. The spark electrode should begin sparking to ignite the pilot (the pilot may ignite after only one spark). After the pilot flame is lit, the main gas valve should open and the main gas flame should ignite.
- Slide the button to OFF. The main gas flame and pilot flame should BOTH extinguish.
- Slide the button to REMOTE (the center position), then press the ON button on the transmitter to turn the system to ON. The spark electrode should begin sparking to ignite the pilot. After the pilot is lit, the main gas valve should open and the main gas flame should ignite.

GENERAL INFORMATION

LEARNING TRANSMITTER TO RECEIVER

Each transmitter uses a unique security code. It will be necessary to press the LEARN button on the receiver to accept the transmitter security code upon initial use, if batteries are replaced, or if a replacement transmitter is purchased from your dealer or the factory. In order for the receiver to accept the transmitter security code, be sure the slide button on the receiver is in the REMOTE position; the receiver will not LEARN if the slide switch is in the ON or OFF position. The LEARN button is located on the front face of the receiver; inside the small hole labeled LEARN. Using a small screwdriver or end of a paperclip gently press and release the black LEARN button inside the hole. When you release the LEARN button the receiver will emit an audible "beep". After the receiver emits the beep press the transmitter ON button and release. The receiver will emit several beeps indicating that the transmitter's code has been accepted into the receiver.

The microprocessor that controls the security code matching procedure is controlled by a timing function. If you are unsuccessful in matching the security code on the first attempt, wait 1-2 minutes before trying again – this delay allows the microprocessor to reset its timer circuitry – and try up to two or three more times.

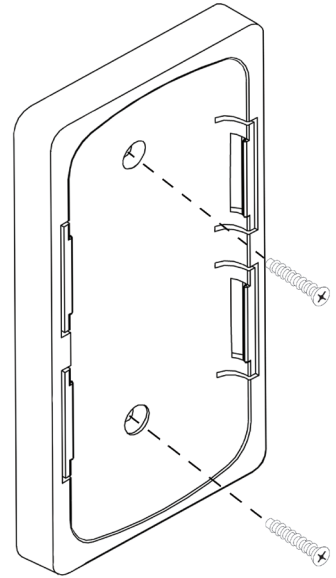
BATTERY LIFE

Life expectancy of the alkaline batteries in the transmitter should be at least 12 months. Check and replace all batteries annually. When the transmitter no longer operates the remote receiver from a distance it did previously (i.e., the transmitter's range has decreased) or the remote receiver does not function at all, the batteries should be checked. It is important that the remote receiver batteries are fully charged and provides continuous output voltage of at least 5.3 volts. The length of the wire between the remote receiver and gas valve directly affects the operating performance of the remote system. The longer the wire, the more battery power is required to deliver signals between the remote receiver and the gas valve. Recommended length is no longer than 20 feet. The transmitter should operate with as little as 5.3 volts battery power.

TRANSMITTER WALL MOUNT

The transmitter can be placed on a wall using the mount provided.

Wood - Drill 1/8" pilot holes and install with screws provided. Plaster/Wallboard - Drill 1/4" holes, use a hammer to tap in the two plastic anchors. Then install with the screws provided.



TROUBLESHOOTING

If you encounter problems with your fireplace system, the problem may be with the fireplace itself or it could be with the SKYTECH remote. Review the fireplace manufacturer's operation manual to make sure all connections are properly made. Then check the operation of the SKYTECH remote in the following manner:

- Make sure the batteries are correctly installed in the RECEIVER. One reversed battery will keep receiver from operating properly.
- Check battery in Transmitter to make sure contacts are touching (+) and (-) ends of battery.
- Be sure RECEIVER and Transmitter is within 20 to 25-feet of operating range.
- Keep RECEIVER from temperatures exceeding 130° F. Battery life shortened when ambient temperatures are above 130° F.
- If RECEIVER is installed in tightly enclosed metal surround, the operating distance will be shortened.

SPECIFICATIONS

BATTERIES: Transmitter 6V – 4ea. AAA 1.5 Alkaline

Remote Receiver 6V – 4ea. AA 1.5 Alkaline

FCC ID No.'s: transmitter K9L5001; Canadian ISC ID No.'s: transmitter –2439A-5001

Operating Frequency: 303.875MHZ

**FOR TECHNICAL
SERVICE, CALL:**

U.S. INQUIRIES

(855) 498-8324 or (260) 459-1703

CANADIAN INQUIRIES

(877) 472-3923

For Sales: (888) 672-8929

Website: skytechpg.com

MANUFACTURED EXCLUSIVELY FOR SKYTECH II, INC