



Model: AF-4000HAT (Home Automation Transmitter)

IF YOU CANNOT READ OR UNDERSTAND THESE INSTALLATION INSTRUCTIONS DO NOT ATTEMPT TO INSTALL OR OPERATE THIS PRODUCT

DESCRIPTION: The AF-4000HAT is a simple transmitter compatible with home automation systems to turn **ON** and **OFF** a gas fire feature. The home automation system sends an ON command to close the dry contacts of the AF-4000HAT. The transmitter receives the command then it sends a wireless RF signal to the gas fire feature to turn it **ON**. When the home automation systems sends a command to turn OFF the AF-4000HAT transmitter sends a wireless RF signal to turn **OFF** the gas fire feature.

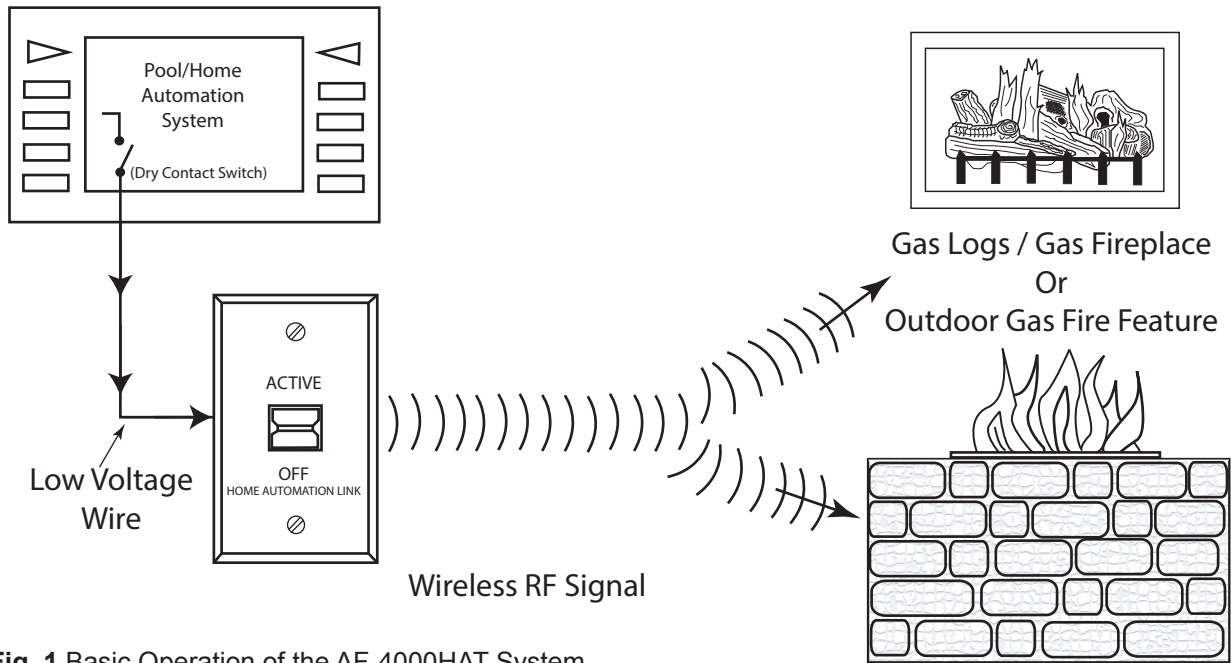


Fig. 1 Basic Operation of the AF-4000HAT System

This AF-4000HAT is designed to operate with the following Skytech Products Group control modules: AF-4000MOD-1, AF-4000MOD## SERIES, VCS-4000MODTC, VCS-4000MODS01, VCS-4000S-1TC, AF-5000MOD-1, VCS-5000MODTC, VCS-ECOMOD, VCS-ECOMODODS, VCS-ECOMODPVI.

Low voltage wire (not provided) from the Home Automation System must connect directly to the AF-4000HAT transmitter and must be located within 20-feet of the control module.

CONTENTS

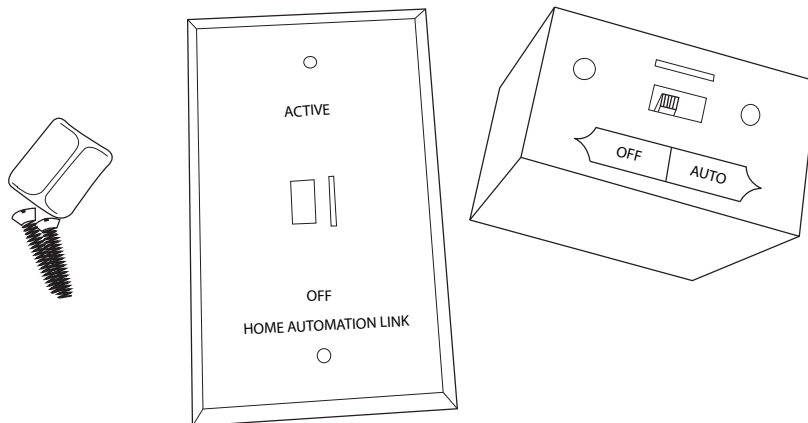


Fig. 2 Contents: (1) HAT transmitter, (1) Face plate (1) Bolt bag with screws and slide button (4) AA Batteries (not shown)

DESCRIPTION OF TRANSMITTER POSITIONS

ACTIVE - Position enables the user to operate the appliance with a home automation system including a hand held remote control.

OFF - Sends a wireless RF signal to turn OFF the appliance and ignores any commands from the Home Automation System. It will allow the appliance to be operated with a hand held remote (if applicable).

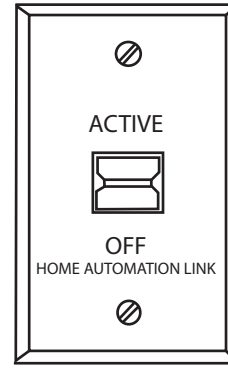


Fig. 3. Transmitter positions.

INSTALLATION

Step 1: Find a suitable location to install the transmitter into a plastic junction box within 20-feet of the fire feature.

Step 2: Install the (4) AA batteries into the transmitter. Fig. 4

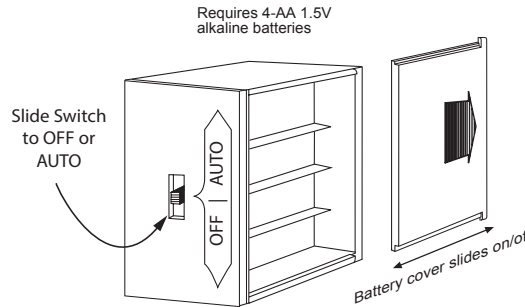


Fig. 4 Installing AA batteries.

Step 3: Run low voltage wire from the Home Automation System to the junction box. Fig. 5

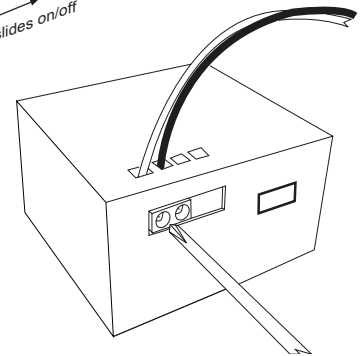


Fig. 5 Inserting thermostat wire.

Step 4: Insert the low voltage wire into the back of the transmitter securing each wire into separate tabs and tightening the screws to hold each wire. **NOTE:** Wires are not polarity sensitive. Gently tug the wires to ensure they are secure. See fig. 5.

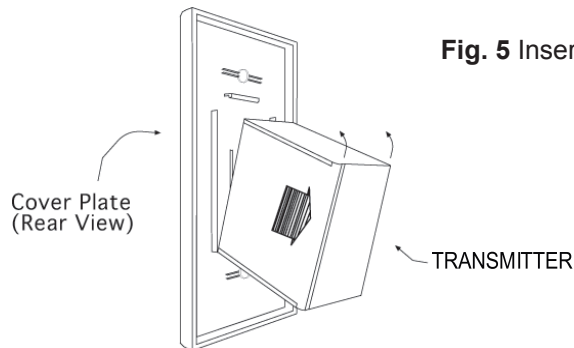


Fig. 6 Securing transmitter to face plate.

Step 5: Secure the transmitter into the face plate by snapping it into place. Fig 6.

Step 6: Install the transmitter into the junction box, attach slide button and installation is complete. See fig. 7.

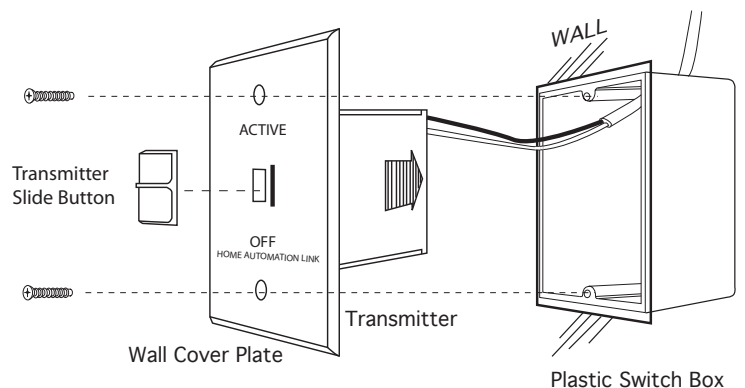


Fig. 7. Installing transmitter into junction box.

LEARNING THE AF-4000HAT TO THE CONTROL MODULE

NOTE: The AF-4000HAT is designed to operate with AF-4000MOD-1, AF-4000MOD## SERIES, VCS-4000MODTC, VCS-4000MODS01, VCS-4000S-1TC, AF-5000MOD-1, VCS-5000MODTC, VCS-ECOMOD, VCS-ECOMODODS, VCS-ECOMODPVI.

- Step 1:** Ensure the control module REMOTE/OFF switch in the **REMOTE** position. See fig. 8.
- Step 2:** Slide AF-4000HAT switch to the **ACTIVE** position. See Fig.9
- Step 3:** Press and release the LEARN button on the control module and listen for a “beep”. See fig. 9.
- Step 4:** Slide the AF-4000HAT switch to the **OFF** position. See fig. 11. The module will emit several beeps indicating the AF-4000HAT is now programmed and will operate with the Home Automation System when the switched is placed back in the **ACTIVE** position as shown in fig. 9.

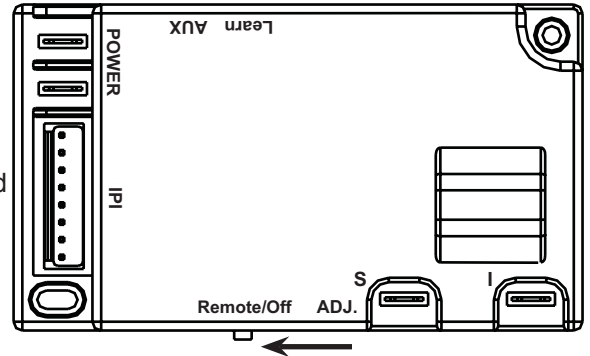


Fig. 8 Remote switch position.

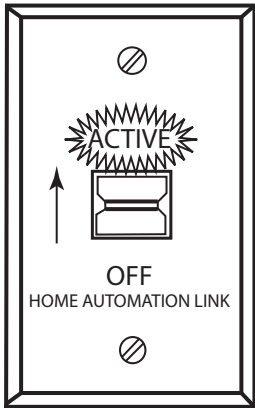


Fig. 9 AF-4000HAT switch to ACTIVE position.

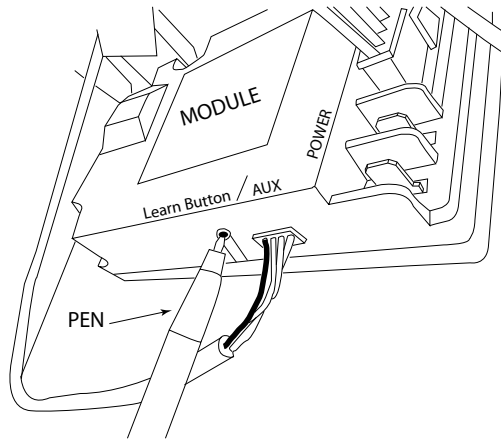


Fig. 10 Learn button on control module.

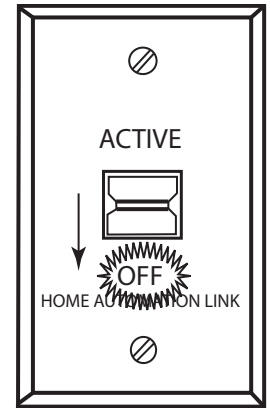


Fig. 11 AF-4000HAT switch to OFF position.

IMPORTANT NOTE: The AF-4000HAT only controls ON/OFF of gas fire feature; not the Hi/Lo operation. The control modules can “learn” more than one transmitter, which may have Hi/Lo control allowing the use of a hand held transmitter in conjunction with the AF-4000HAT. Check with your dealer to find out which wireless hand held transmitter can be used with your system.

TROUBLESHOOTING

If you encounter problems with your AF-4000HAT, the problem may be with either the fire feature or the home automation system. Review all installation manuals to ensure all connections are properly made.

- Make sure the AA batteries are installed correctly and are fully charged.
- Be sure the AF-4000HAT transmitter is installed within 20-feet of the fire feature.
- Ensure the transmitter is not installed in a tightly enclosed metal box. This will affect the operating distance.
- Check the wires connected to the transmitter. Ensure the wires are snug and not loose as shown in figure 5.
- Make sure the AF-4000HAT transmitter is communicating to the control module (see learning transmitter to module on page 3).
- Keep the AF-4000HAT transmitter from exceeding temperatures of 130°F. Battery life will be shortened when exposed to high temperatures.
- Change batteries at least once a year. If using outdoors batteries may need changed more often due to weather.
- If the AF-4000HAT transmitter is not sending a signal check to ensure the switch is in the ACTIVE position.

FCC REQUIREMENTS

NOTE: THE MANUFACTURER IS NOT RESPONSIBLE FOR ANY RADIO OR TV INTERFERENCE CAUSED BY UNAUTHORIZED MODIFICATIONS TO THIS EQUIPMENT. SUCH MODIFICATIONS COULD VOID THE USER'S AUTHORITY TO OPERATE THE EQUIPMENT.

SPECIFICATIONS

BATTERIES: Transmitter (4) AA 1.5 Volts, Alkaline
FCC ID No.'s: Transmitter – K9LAF4HAT
Operating Frequency: 303.8MHZ
Canadian IC ID No.'s: transmitter – 2439-AF4HAT

**FOR TECHNICAL
SERVICE CALL:**

U.S. INQUIRIES
(855) 498-8324 or (260) 459-1703

CANADIAN INQUIRIES
(877) 472-3923

For Sales: (888) 672-8929
Website: skytechpg.com

MANUFACTURED EXCLUSIVELY FOR SKYTECH II, INC