



**Model: 1410 T/LCD-A**

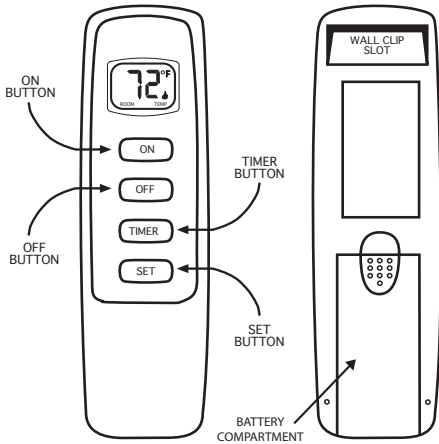
**INSTALLATION AND OPERATING INSTRUCTIONS**

**IF YOU CANNOT READ OR UNDERSTAND THESE INSTALLATION INSTRUCTIONS DO NOT ATTEMPT TO INSTALL OR OPERATE**

**INTRODUCTION**

This remote control system was developed to provide a safe, reliable and user-friendly remote control system for gas heating products.

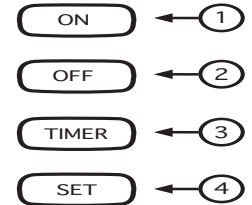
**TRANSMITTER**



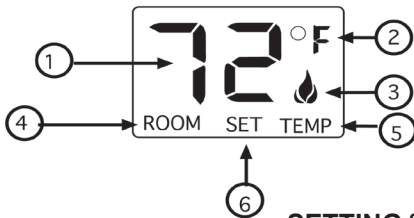
The transmitter operates on (2) 1.5V AAA batteries. It is recommended that ALKALINE batteries always be used for this product. **Be sure the batteries are installed with the (+) and (-) ends facing the correct direction, and are fully charged.**

**KEY SETTINGS**

1. **ON** --- Turns appliance on.
2. **OFF** -- Turns appliance off.
3. **TIMER** Changes unit from manual mode to timer mode.
4. **SET** -- Adjusts timer setting.



**LCD - LIQUID CRYSTAL DISPLAY**



1. Display ----- Indicates current room temperature.
2. Fahrenheit or Celsius Indicates degrees Fahrenheit or Celsius.
3. Flame ----- Indicates appliance is ON.
4. Room ----- Indicates remote is in THERMO mode.
5. Temperature ----- Appears during manual operation.
6. Set ----- Appears when adjusting the desired timer setting.

**SETTING °FAHRENHEIT / °CELSIUS SCALE**

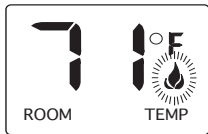
The factory setting for temperature is °F. To change the displayed temperature scale, press the **ON** and **OFF** keys at the same time. Follow this same procedure to return to °F.



**MANUAL FUNCTION**

**ON OPERATION:**

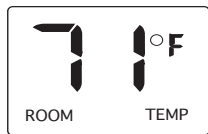
Press the ON button to turn the appliance **ON**. (The flame icon will appear on the LCD screen.)



ON MODE

**OFF OPERATION:**

Press the OFF button to turn the appliance **OFF**. (The flame icon will disappear from the LCD screen.)



OFF MODE

**TIMER FUNCTION**

- Press the **ON** button to start the appliance.
- Press the **TIMER** button. The LCD screen will show the word set.
- Press the **SET** button until the desired time is reached (15min - 180min in 15 minute increments). The max setting time is 3 hours.
- NOTE: The LCD display will flash the set time for 6 seconds, then start the countdown.
- Press the **OFF** button to turn off the timer, and the appliance.



SET MODE



COUNT DOWN MODE

**TEMPERATURE UPDATING FEATURE**

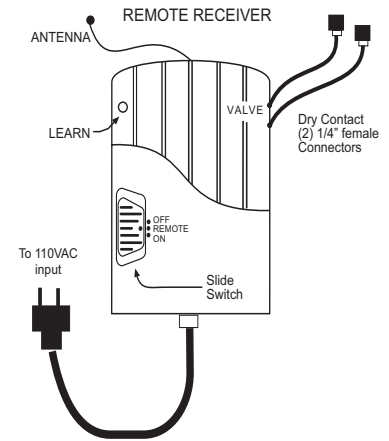
This remote control has a temperature updating feature built into its software. The transmitter reads the room temperature every 2 minutes, then updates the room temperature on the LCD screen.

## RECEIVER

When plugged into a standard 110-120 VAC receptacle, the remote receiver operates on commands from the transmitter or from the slide switch on the face of the receiver (This switch is to be used during a power outage to operate the appliance manually).

- **ON:** will manually turn on the appliance.
- **REMOTE:** will allow use of handheld transmitter. If the system does not respond to the transmitter on initial use, check the battery positions in the remote. If that does not work, see the LEARNING TRANSMITTER TO RECEIVER section.
- **OFF:** will disable the remote receiver.
- **It is suggested that the slide switch be placed in the OFF position if you will be away from your home for an extended period of time.**

The remote receiver is manufactured with a “dry contact” relay in its circuitry that operates like an on/off switch. However, no power or current passes from the 110-120VAC input side to the wires leading from the output side of the remote receiver.



## INSTALLATION

Protection from extreme heat is very important. The remote receiver should be kept away from temperatures exceeding 130°F. Extreme heat can cause damage, which is not covered under warranty.

- Before installation, make sure you turn the slide switch to **OFF**. After installation, make sure you turn the slide switch to **REMOTE**.
- The remote receiver can be placed on the fireplace hearth or under the fireplace behind the control access panel.
- Use the wires attached to the remote receiver to connect to the gas valve or the electric module (piggyback connectors have both male & female terminals for flexibility).
- Be sure that the connectors do not touch each other or other bare metal surfaces; this will cause the appliance to turn on. The connectors may be wrapped with electrical tape to prevent this.

## WARNING

This remote control system must be installed exactly as outlined in these instructions. Read all instructions completely before attempting installation. Follow instructions carefully during installation. Any modifications of this remote control or any of its components will void the warranty and may pose a fire hazard.

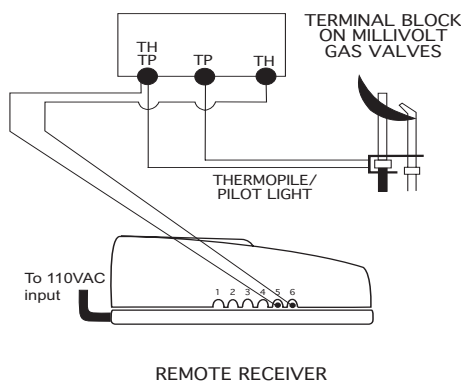
Consult gas appliance manufacturer's instructions and wiring schematics for proper placement of all wires. All electronic modules are to be wired to manufacturer's specifications.

The following wiring diagrams are for illustration purpose only. Follow instructions from manufacturer of gas valve and/or electronic module for correct wiring procedures. Improper installation of electric components can cause damage to electronic module, gas valve and remote receiver.

## WIRING INSTRUCTIONS

A qualified electrician should install the remote control system.

### MILLIVOLT VALVES

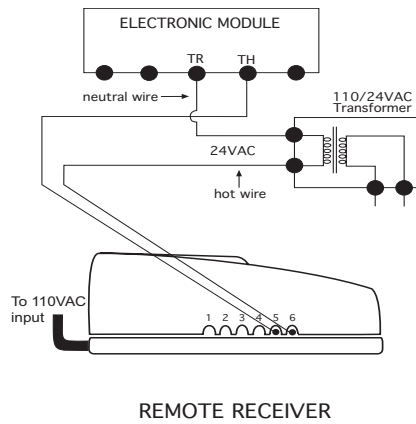


- Connect one wire from the remote receiver to the TH terminal on the gas valve.
- Connect the other wire from the remote receiver to the TH/TP terminal on the gas valve.

### MILLIVOLT SYSTEM CHECK

- Ensure that the pilot flame is lit.
- Slide the 3-position button on the remote receiver to the **ON** position. The main gas flame (i.e., the fire) should ignite.
- Slide the button to **OFF**. The main flame should extinguish (the pilot flame will remain on).
- Slide the button to **REMOTE**, then press the **ON** button on the transmitter to change the system to on. The main gas flame should ignite.

## ELECTRONIC SPARK IGNITIONS



The remote control receiver can be connected, in series, to a 24VAC transformer to the TR (transformer) terminal on the ELECTRONIC MODULE. Connect the hot wire from the 24VAC transformer to either of the wires on the remote receiver. Connect the other wire from the receiver to the TH (thermostat) terminal on the ELECTRONIC MODULE.

## ELECTRONIC SPARK SYSTEM CHECK

- Slide the 3-position button on the remote receiver to the **ON** position. The spark electrode should begin sparking to ignite the pilot. After the pilot flame is lit, the main gas valve should open and the main gas flame should ignite.
- Slide the button to **OFF**. The main gas flame and pilot flame should both extinguish.
- Slide the button to **REMOTE**, then press the ON button on the transmitter to change the system to on. The spark electrode should begin sparking to ignite the pilot. After the pilot is lit, the main gas valve should open and the main gas flame should ignite.

## CP (CHILDPROOF) FEATURE

This remote control includes a childproof feature that allows the user to “lock-out” operations from the Transmitter.

- To activate and de-activate the childproof feature, press and hold the **ON** button and the **TIMER** button at the same time for 5 seconds. The letters “CP” will appear in the TEMP frame on the LCD screen.
- “CP” will appear on the LCD screen if any button is pressed while childproof mode is engaged.
- When this mode is engaged, all auto settings go on without interruption (like timer). Only manual functions are prevented.

## COMMUNICATION - SAFETY - TRANSMITTER - (C/S - T/X)

This remote control has a COMMUNICATION –SAFETY function built into its software to ensure the transmitter and receiver are communicating normally.

In all operating modes, the transmitter sends an RF signal every fifteen minutes to the receiver indicating that the transmitter is within the normal operating range of 20 feet. Should the receiver NOT receive this signal, the RECEIVER will begin a 2 hour countdown. If the RECEIVER does not receive a signal from the transmitter in 2 hours, the RECEIVER will shut off the appliance. The RECEIVER will then emit a series of rapid “beeps” for a period of 10 seconds. Then after 10 seconds of rapid beeping, the RECEIVER will continue to emit a single “beep” every 4 seconds until the transmitter **ON**, **OFF** or **MODE** Button is pressed to reset the receiver.

## LEARNING TRANSMITTER TO RECEIVER

- Each transmitter uses a unique security code. It will be necessary to press the LEARN button on the receiver to accept the transmitter security code upon initial use, if batteries are replaced, or if a replacement transmitter is purchased from your dealer or the factory. In order for the receiver to accept the transmitter security code, be sure the slide button on the receiver is in the REMOTE position; the receiver will not LEARN if the slide switch is in the ON or OFF position. The LEARN button is located on the front face of the receiver; inside the small hole labeled LEARN. Using a small screwdriver or end of a paperclip gently Press and Release the black LEARN button inside the hole. When you release the LEARN button the receiver will emit an audible “beep”. After the receiver emits the beep press any transmitter button and release. The receiver will emit several beeps indicating that the transmitter’s code has been accepted into the receiver.
- To **delete** all of the transmitter codes on your receiver, press and hold the **LEARN** button for 10 seconds. Then you will hear a series of beeps, indicating that the receiver’s memory has been cleared.

## BATTERY LIFE

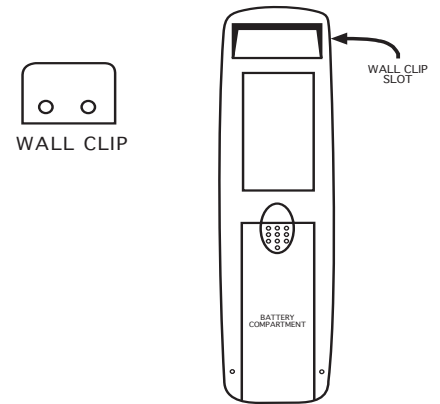
Life expectancy of the alkaline batteries in the transmitter and receiver should be at least 12 months. Check and replace all batteries:

- Annually.
- When operating range becomes reduced.
- When transmissions are not received by the remote receiver.
- If the hand held transmitter batteries measure less than 2.5 volts. (Both batteries in combination)

## **TRANSMITTER WALL CLIP**

The transmitter can be hung on a wall using the clip provided.

- Wood - Drill 1/8" pilot holes and install with screws provided.
- Plaster/Wallboard - Drill 1/4" holes, then install with the screws provided.



## **TROUBLE SHOOTING**

If you encounter problems with your fireplace system, the problem may be with either the fireplace itself or with the remote. Review the fireplace manufacturer's operation manual to make sure all connections are properly made. Then check the operation of the remote in the following manner:

- Make sure there is a 110-120 volt power source to the receiver.
- Check batteries in transmitter to make sure contacts are touching (+) and (-) ends of battery. Bend metal contacts in for tighter fit.
- Check if the transmitter batteries are fully charged.
- Be sure receiver and transmitter are within 20 to 25-foot operating range.
- Keep receiver from temperatures exceeding 130 degrees F. Battery life will be shortened if exposed to those temperatures.
- If receiver is installed in a tightly enclosed metal surrounding, the operating distance will be shortened.
- Make sure the hand-held transmitter and remote receiver are communicating properly (see LEARNING TRANSMITTER TO RECEIVER section).

### **FCC REQUIREMENTS**

**NOTE: THE MANUFACTURER IS NOT RESPONSIBLE FOR ANY RADIO OR TV INTERFERENCE CAUSED BY UNAUTHORIZED MODIFICATIONS TO THIS EQUIPMENT. SUCH MODIFICATIONS COULD VOID THE USER'S AUTHORITY TO OPERATE THE EQUIPMENT.**

**FOR TECHNICAL SERVICE, CALL:**

#### **U.S. INQUIRIES**

(855) 498-8324 OR (260) 459-1703

For Sales: (888) 672-8929

**WEB SITE:** [www.skytechpg.com](http://www.skytechpg.com)

#### **CANADIAN INQUIRIES**

(877) 472-3923

**MANUFACTURED EXCLUSIVELY FOR SKYTECH II, INC**